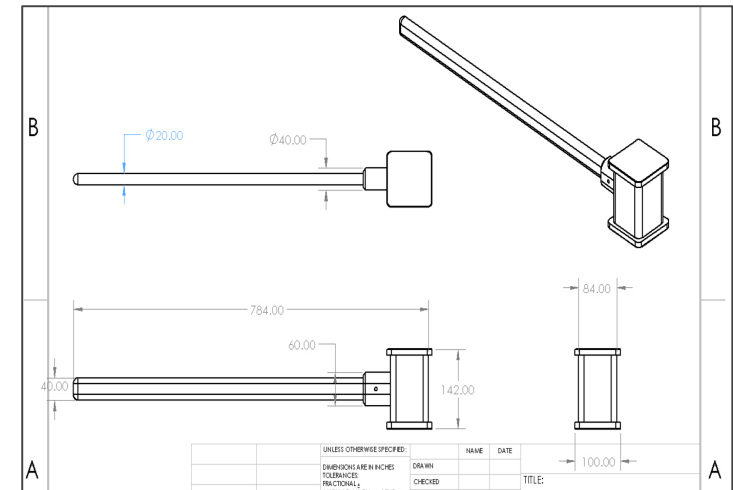
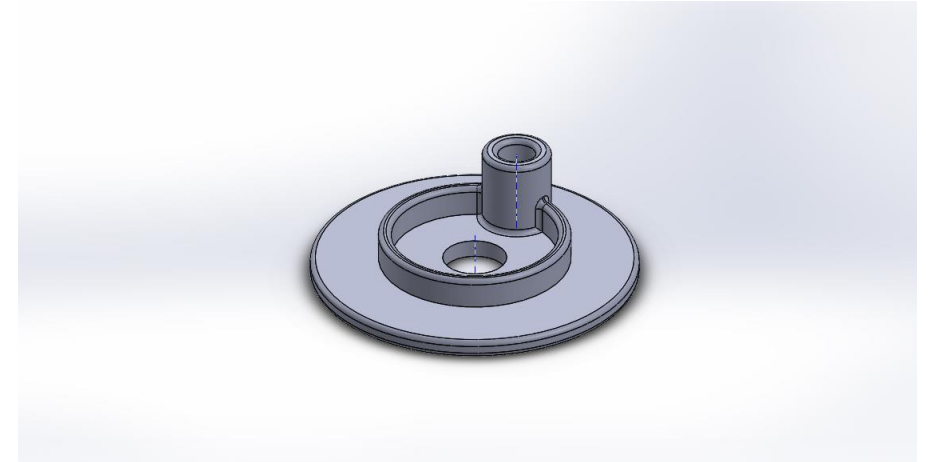
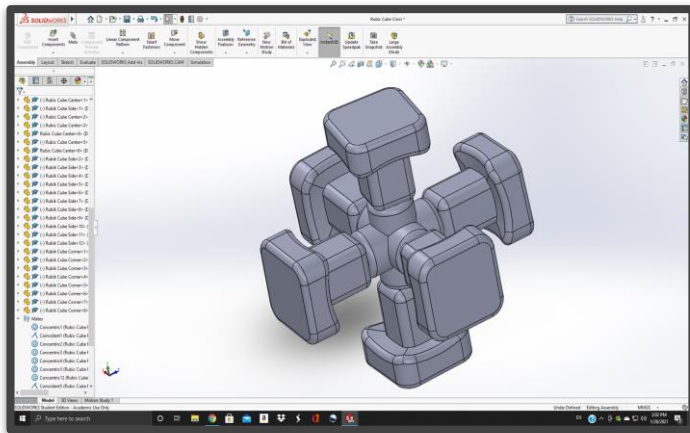


LHHS CTE: Engineering

ENG 1 – Introduction to Engineering

ENG 2 – Intermediate Engineering

ENG 3 – Advanced Engineering





Instructor: Frank Freedman
Email: frank.freedman@lhusd.org





Goals of ENG Sequence ...

- ❑ Advanced skills in Computer Aided Drawing (CAD)
- ❑ SolidWorks Certification by end of Year 3

Certified SolidWorks Associate (CSWA): (Level 1 Certification in Industry Leading CAD Software)



SOLIDWORKS > Mechanical Design (CSWA-Mechanical Design)

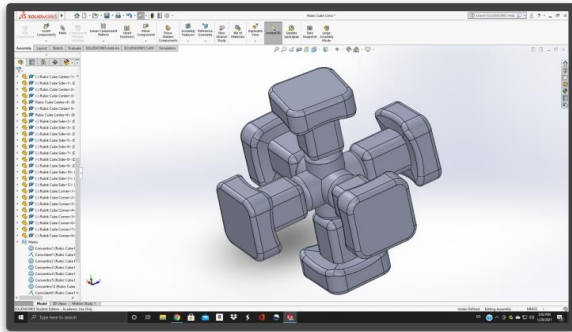
3DEXPERIENCE® Works Solutions Community Support Buy Try now

Mechanical Design (CSWA-Mechanical Design)

ASSOCIATE Mechanical Design

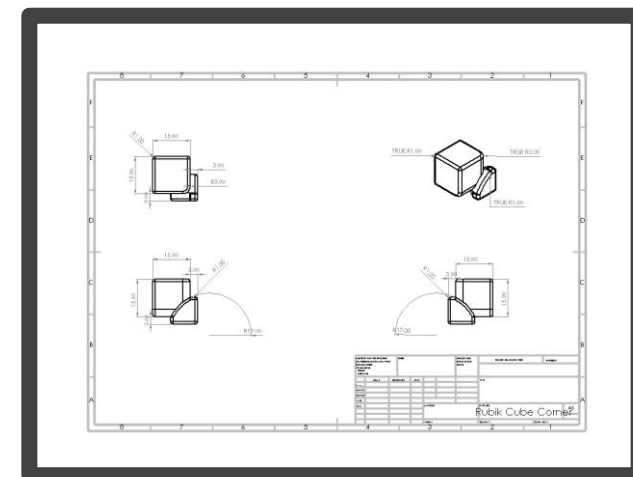
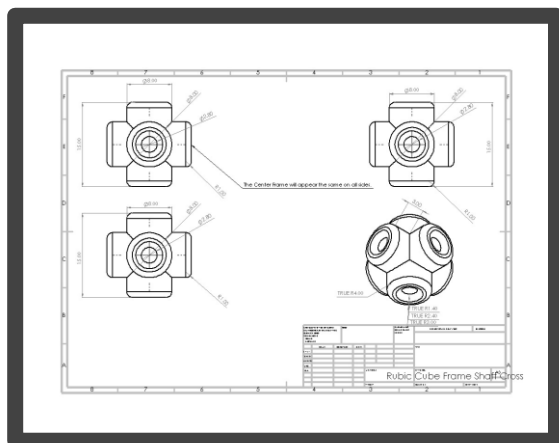
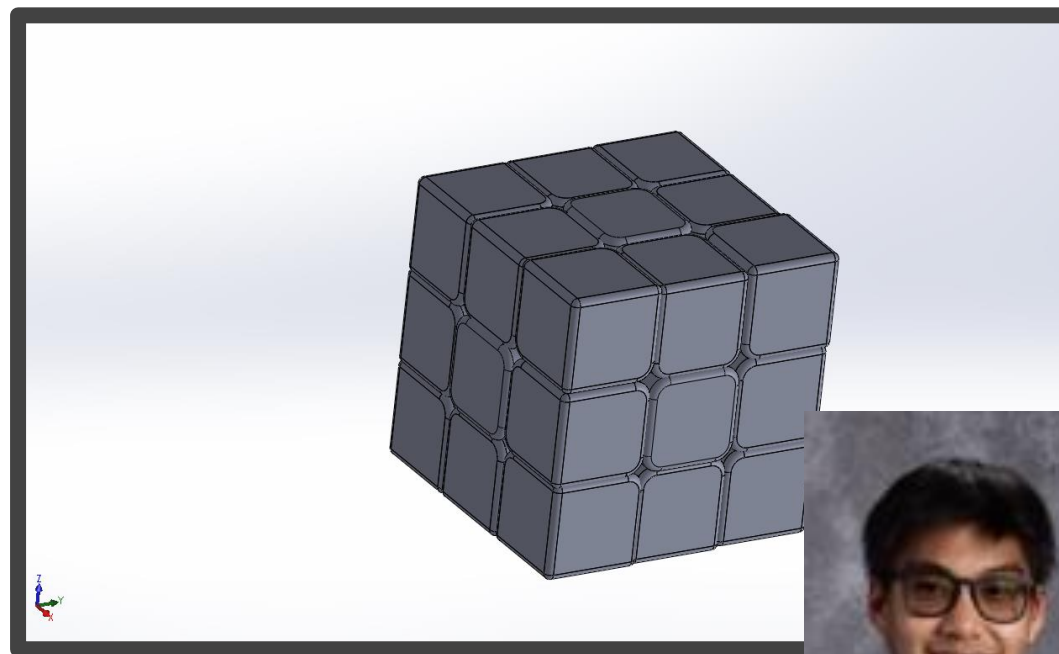
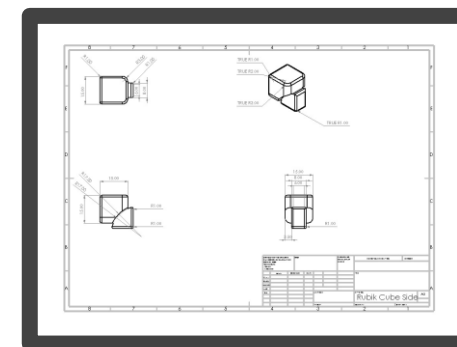
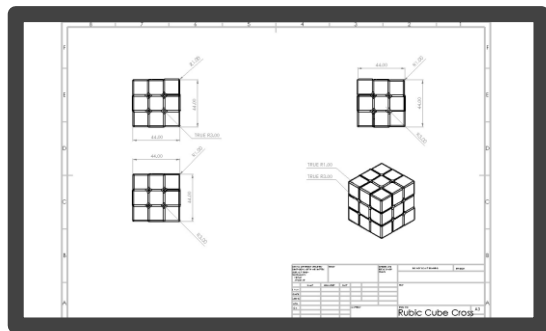
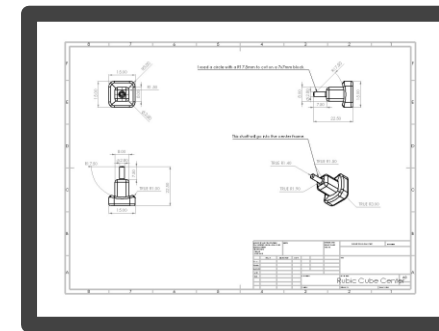
PROFESSIONAL Mechanical Design

SOLIDWORKS SOLIDWORKS



Solidworks's

Rubik's Cube

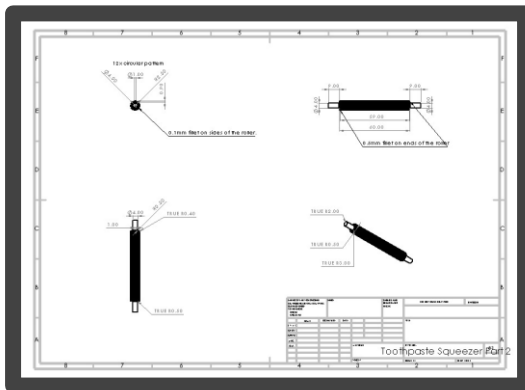
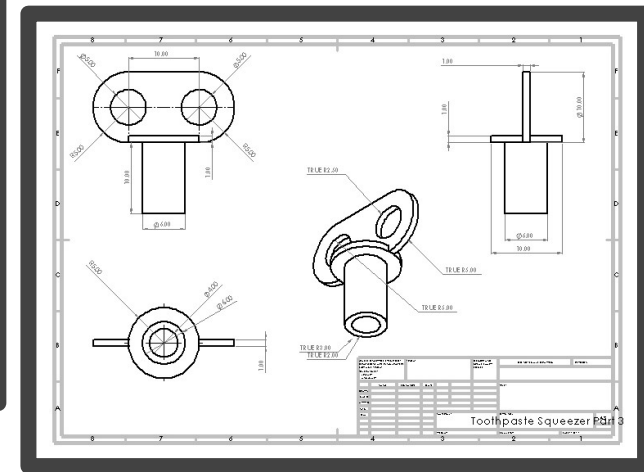
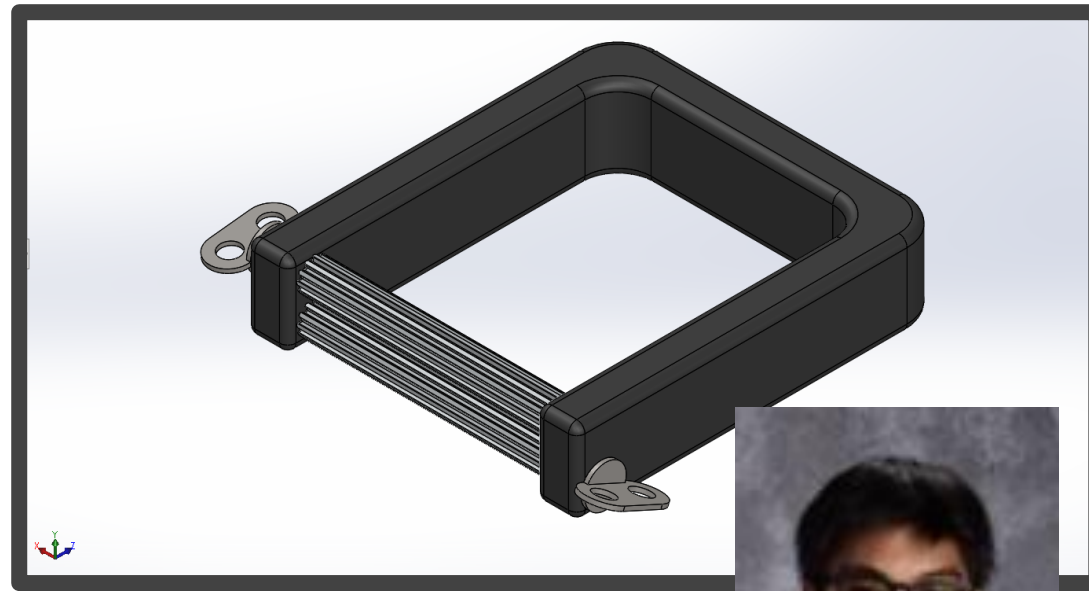
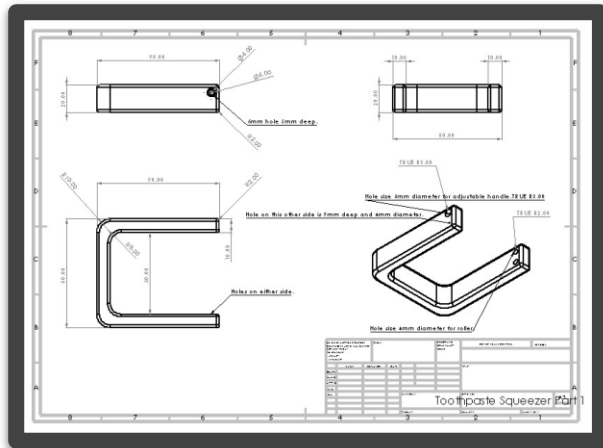


Jamie Henson

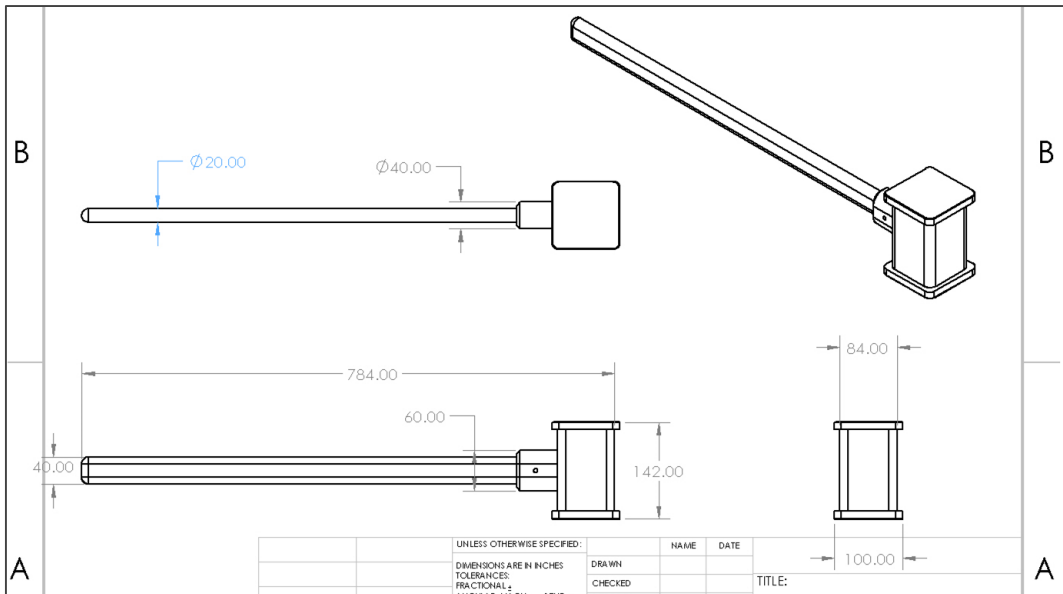
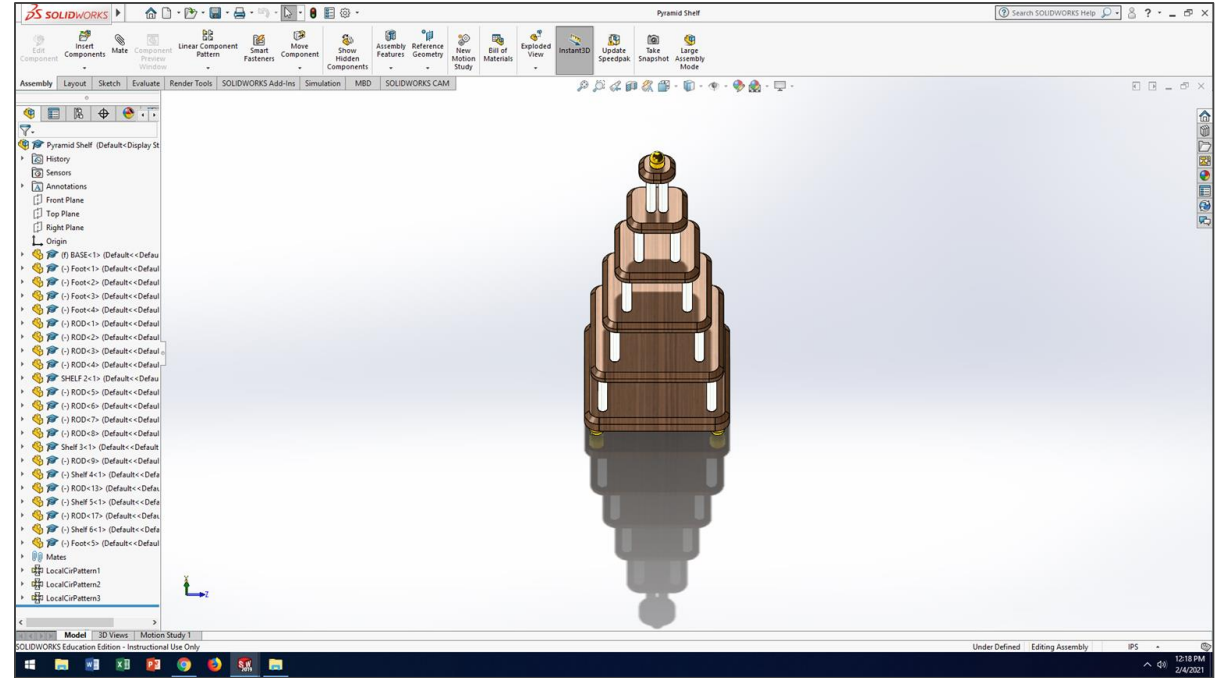
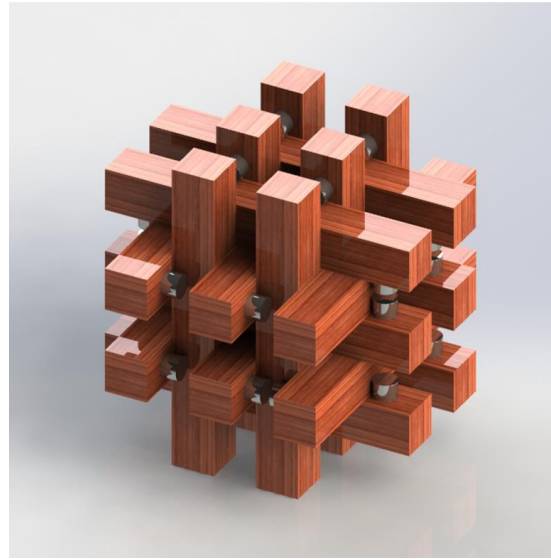


Toothpaste Squeezer

Ever had a hard time rolling your toothpaste? Well, you're in good hands. This toothpaste squeezer will not make any toothpaste go to waste. Just conveniently twist the handle and see the magic!!!

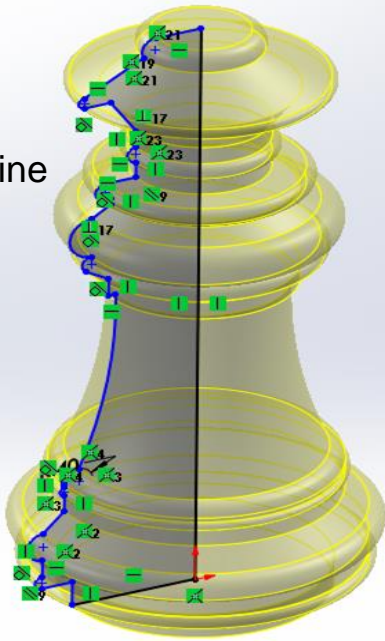


Jamie Henson

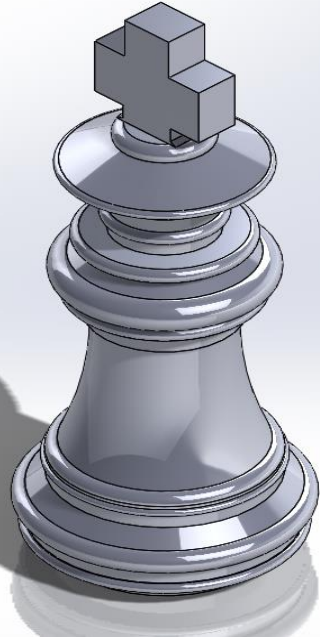


Aaron Miller
SOLIDWORKS Visualize Content

Initial Sketch of Outline



Final Product



Lance Yearick

SOLIDWORKS Visualize Content

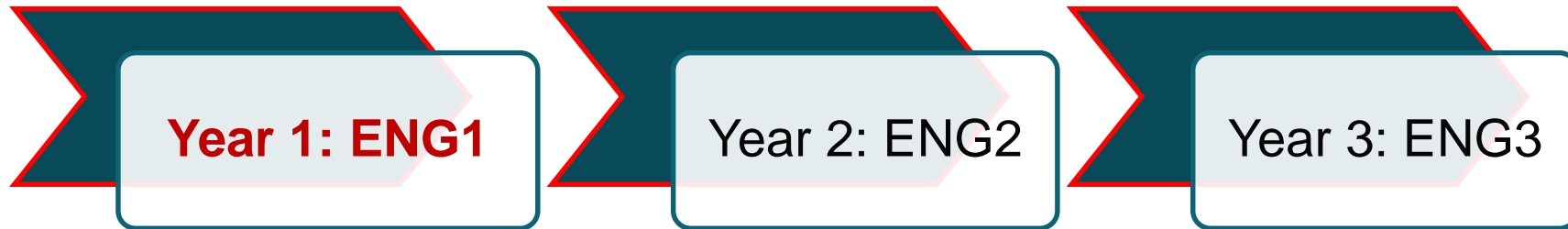


3D Printer: Dremel Digilab





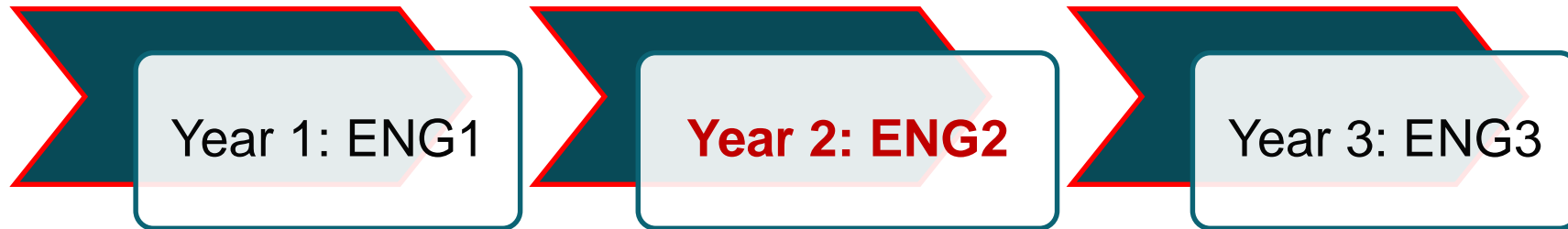
How does the Engineering pathway work?



- Basic Engineering Concepts
- Calculations, Units, Dimensions
- Spreadsheets
- Introduction to Technical Drawing, Drafting & CAD
- Beginning SolidWorks Exercises



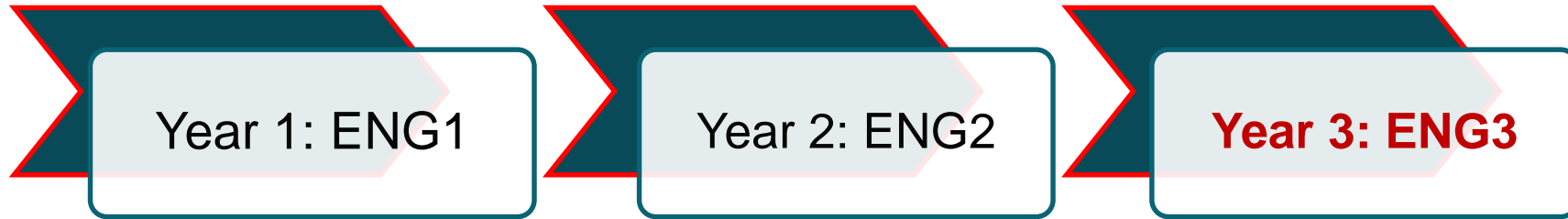
How does the Engineering pathway work?



- **Advanced Engineering Concepts (Stress, Strain, Deformation)**
 - **Application to Designing Solid Parts and Assemblies**
 - **SolidWorks Projects of Increasing Complexity**



How does the Engineering pathway work?



- Advanced SolidWorks Projects
 - Student Directed w Teacher Support
 - SolidWorks Certification Exam Preparation
- SolidWorks Certification Exam (Spring Semester)



Questions?

Contact information: Frank Freedman

Email: frank.freedman@lhusd.org

Courses: ENG 1 Intro to Engineering, ENG 2 Intermediate Engineering,
ENG 3 Advanced Engineering